

## A-TEC **PMM-45** 45ACP PISTOL SILENCER

PMM-45 is a high performance silencer that is together with the PMM-6 one of the lightest and most efficient pistol silencers on the market. The PMM-45 is a silencer with a unique spring loaded piston, made to work with modern 45ACP semi-auto pistols with different types of ammo. A-TEC decided to introduce the revolutionary Modular system on the PMM-45, allowing the operator to reconfigure the silencer to shorter and more compact designs. The PMM-45 has 7 modules that are made from a light alloys. The PMM-45 is based on the proven technology on the PMM-6 silencer, redeveloped and customized to fit the needs for a 45 cal. pistol. The silencer is constructed from Aluminium and stainless steel.

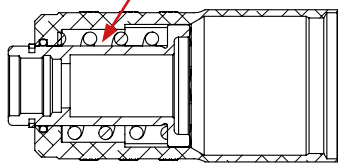
OVERALL PERFORMANCE:	28 DB(C) DRY 35 DB(C) WET
FIRST ROUND POP:	24,8 DB(C) DRY 35,4 DB(C) WET
BEST PERFORMANCE	29,6 DB(C) DRY 37,2 DB(C) WET
SILENCER WEIGHT:	267 G
DIAMETER:	38 MM
OVER BARREL LENGTH:	13 MM
ADDED LENGTH:	196 MM
TOTAL LENGTH:	209 MM
MATERIAL	ALUMINIUM, STEEL
TREATMENT:	BLACK ANODISED
AVAILABLE CALIBRES:	.45 ACP
AVAILABLE MOUNTING:	M16X1, M16X1LH, 0.578X28

The spring loaded piston (Nielsen devise) and the modules will need to be disassembled, cleaned every 300 shot, and lubed (greased) up again.

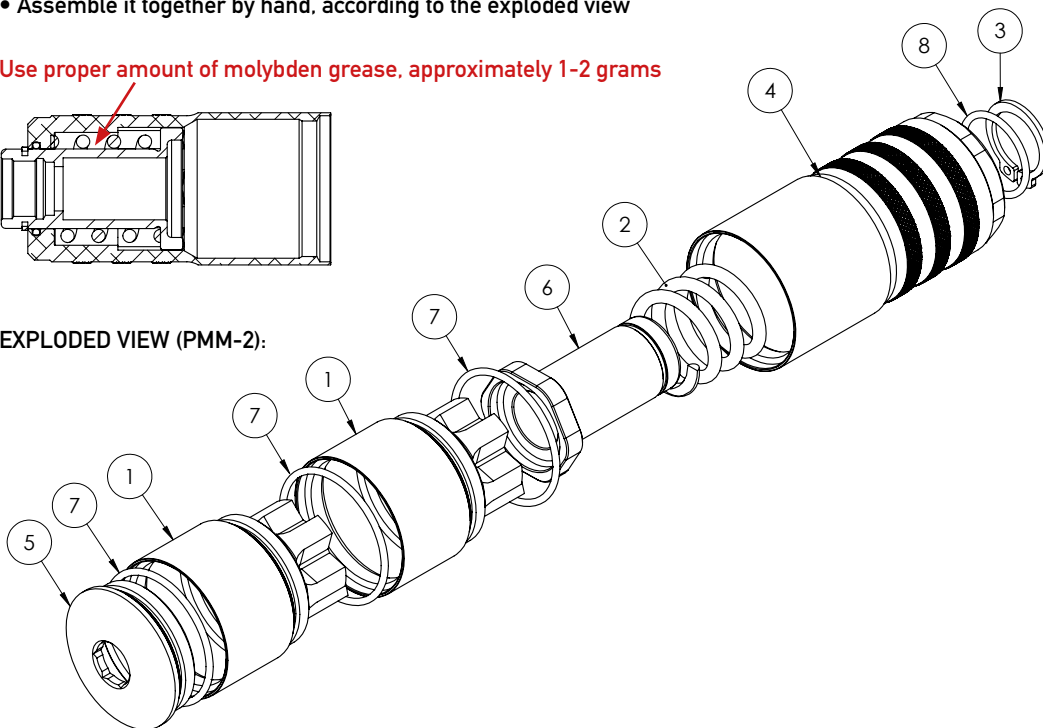
### ASSEMBLY & MAINTENANCE:

- Disassemble the parts
- Clean & degrease all parts
- Grease all threads, o-rings and the moving piston
- Assemble it together by hand, according to the exploded view

Use proper amount of molybden grease, approximately 1-2 grams



### EXPLODED VIEW (PMM-2):



All recorded data is in compliance with MIL-STD-1474 D standards. The provided weights are measured in metric grams.